

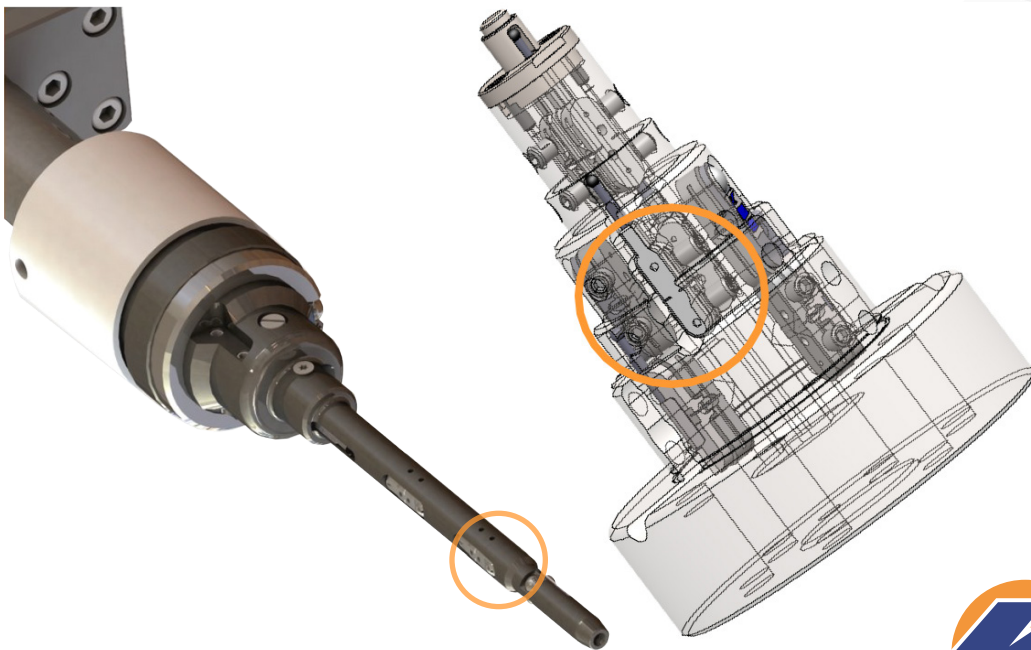
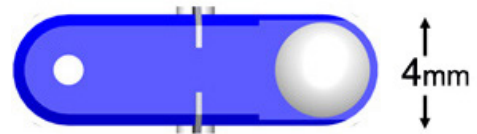
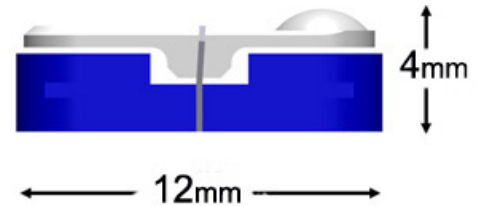
# The Knaebel IET, world's smallest transducer, just got smaller

## Check Bores and Grooves Directly with this Super-Tiny Transducer

The **NEW IET mini-probe** from Knaebel measures only 4 x 4 x 12mm opening up new possibilities for additional applications for direct measurement applications. Difficult gaging applications are now possible because of its ultra-compact size.

- Compatible to IET standard (half-bridge)
- Measurement range +/- 100  $\mu\text{m}$
- Several probe tips available

Contact Euro-Tech Corporation for assistance with the custom design and manufacture of your measuring mandrels. We are here to advise you on complex measuring system projects from start to finish.



Euro-Tech is the exclusive North American distributor of the Knaebel product line. For more information call 262.781.6777 or visit [www.eurotechcorp.com/knaebel](http://www.eurotechcorp.com/knaebel)

